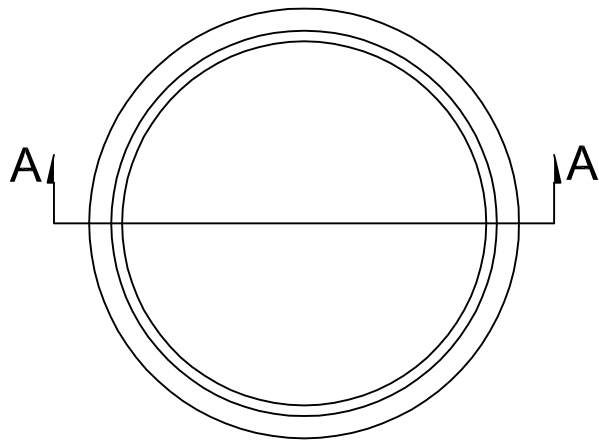
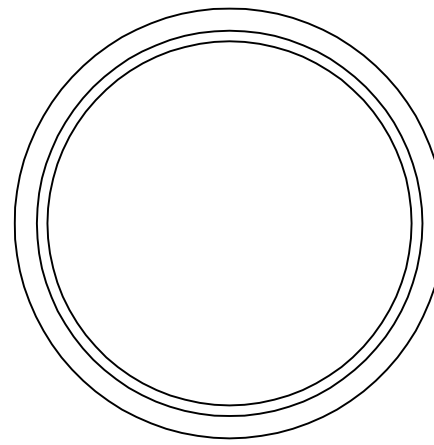


Base

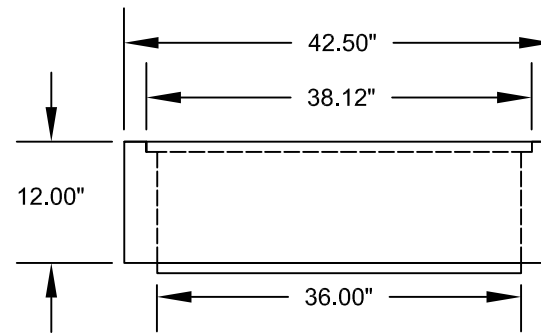
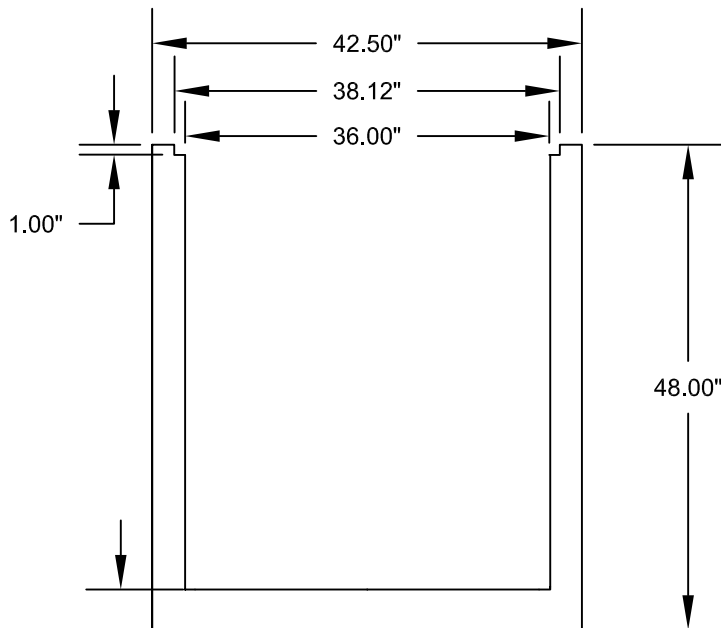


Riser



Specifications

Concrete: Minimum Compressive Strength is 5,000 PSI @ 28 Days.



NOT TO SCALE

Lake Shore Burial Vault Co., Inc
 12780 W. Lisbon Road
 Brookfield, WI 53005
Phone: 262.781.6262 **Fax:** 262.781.6280
 www.lsburialvaults.com

General Notes:

This drawing is the property of Lake Shore Burial Vault Company and shall not be copied or submitted without the consent of this company.

Model: 36" Catch Basin

Drawn By: T. McQuestion

Date: 12/6/ 2011

Dwg. No: